



# 300 ICW 8

## Product Data Sheet

Magnets for mounting magnetic grilles with anti-vibration pads.



Easy Quick Install system, No tools required. System compatible with wall/ceiling from 0<sup>3/16</sup>" to 1<sup>3/16</sup>" (5 to 30mm).

Handles to attach the speaker to the mounting frame without tools.



1" (25 mm) Al/Mg inverted dome tweeter with Poron suspension. Smoother sound.

8" (21cm) Flax mid-bass. Flax Membrane: neutrality and sound definition.

Product rear protection against dust.

Rotating tweeter. Off-axis response optimized.

Tweeter adjustment -3dB, 0dB, +3dB. Treble equalisation depending on the room acoustics.

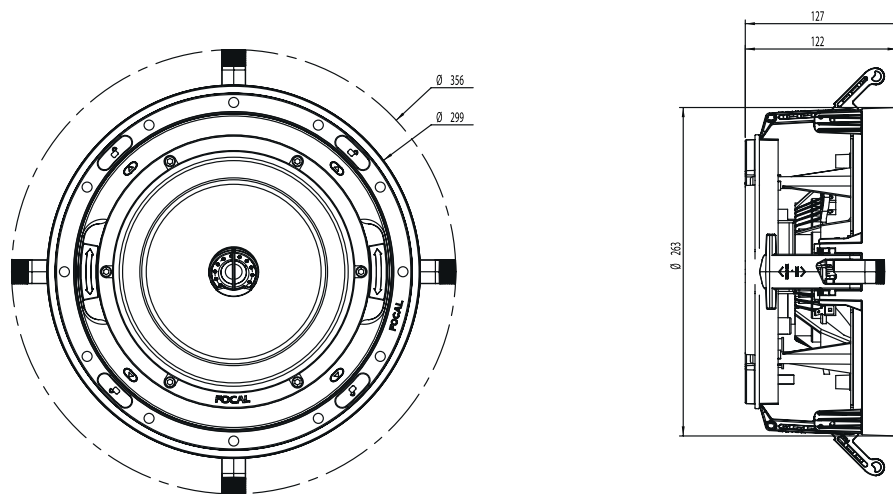


### Key points

- 2-way speaker for custom install
- No tools required to install the product
- Loudspeaker developed and manufactured in France by Focal
- Delivered with square and circular front grilles and painting protective mask
- Off-axis response control (Tweeter rotation and gain adjustment)

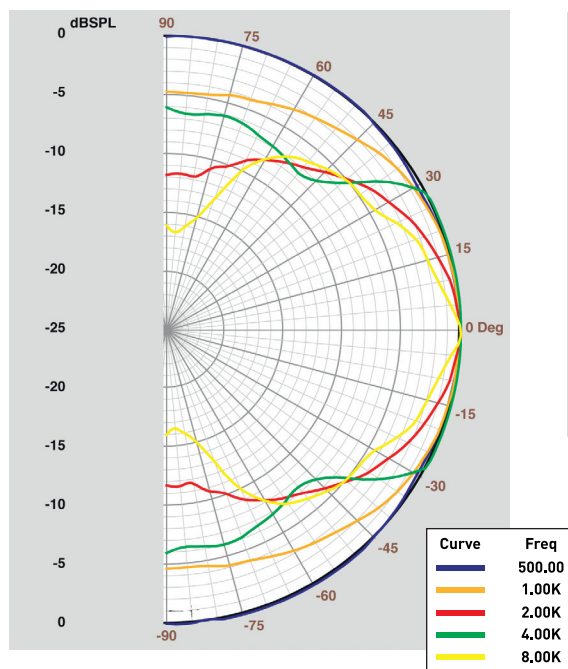
Type	2-Way
Drivers	8" (21cm) Flax Mid-bass 1" (25mm) Al/Mg inverted dome Tweeter
Sensitivity (2.83 V/1m)	90dB
Frequency response (+/-3dB)	48Hz - 28kHz
Low frequency point (-6dB)	35Hz
Nominal impedance	8 Ohms
Minimal impedance	4.5 Ohms
Recommended amplifier power	25 - 150W
Dimensions (Ø/depth)	11 <sup>49/64</sup> x 5" (299x127mm)
Cut-Out diameter	10 <sup>25/64</sup> " (264mm)
Depth behind surface	4 <sup>51/64</sup> " (122mm)
Net weight (with grille)	7.05 lbs (3.2kg)
Box dimensions (WxDxH)	14 <sup>49/64</sup> x 14 <sup>49/64</sup> x 12 <sup>13/64</sup> " (375x375x310mm)
Total weight in box	11.24 lbs (5.1kg)

## Dimensions

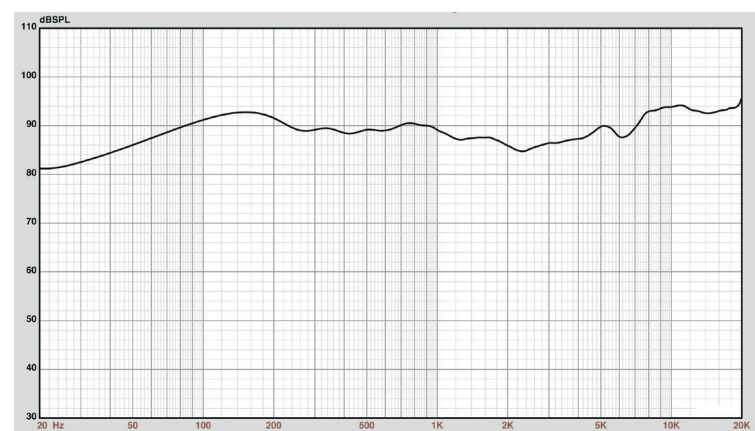


## Measurements

### Directivity



### Frequency response



## ICW8 speaker level calculation table

Power/Distance	1m	2m	5m
1 W [2.83V]	90dB	84dB	76dB
10 W [8.94V]	100dB	94dB	86dB
20 W [12.6V]	103dB	97dB	89dB
30 W [15.5V]	105dB	99dB	91dB

Summary	125Hz	250Hz	500Hz	1kHz	2kHz	4kHz	8kHz
SPL [2.83V/1m][dB]	92	90	90	89	87	88	91
Opening angle at -6dB	180°	180°	180°	180°	90°	80°	90°